

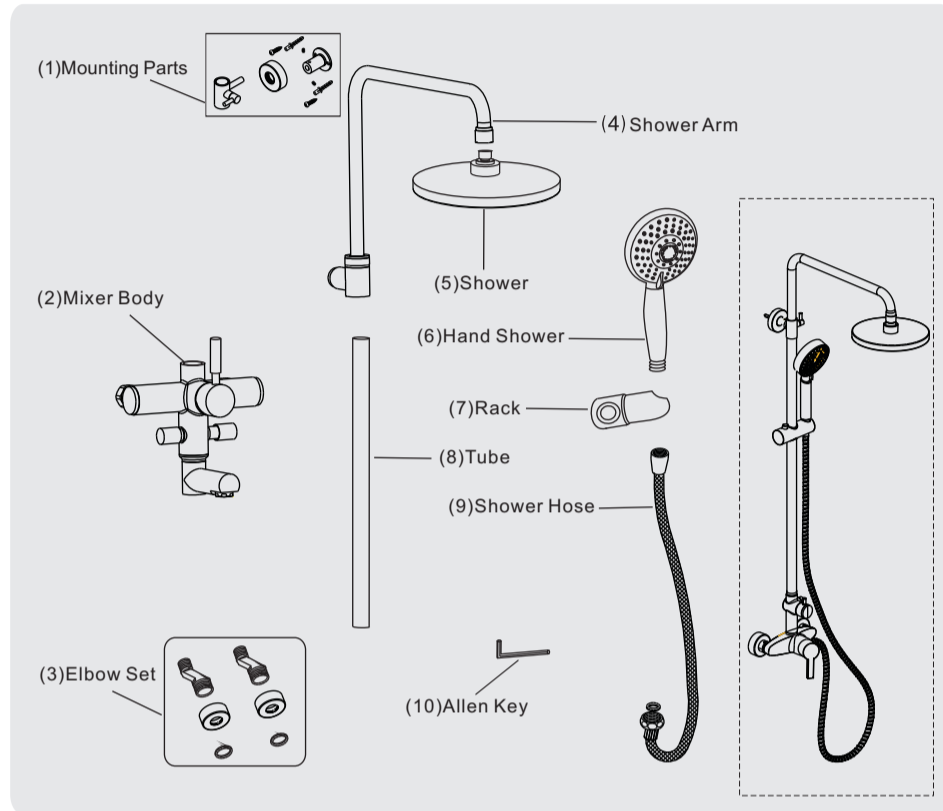
Shower Column Installation Instruction(general)

Packing List (General)

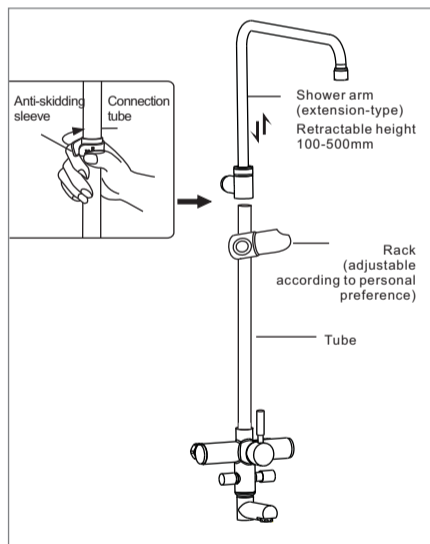
Reminder: This instruction is for shower column, the appearance and items you received may differ from models.

NO.	Item	Q'ty	Note	NO.	Item	Q'ty	Note
(1)	Mounting Parts	1		(7)	Rack	1	
(2)	Mixer Body	1		(8)	Tube	1	
(3)	Elbow Set	1		(9)	Shower Hose	1	
(4)	Shower Arm	1		(10)	Allen Key	1	
(5)	Shower	1					
(6)	Hand Shower	1					

Installation Diagram

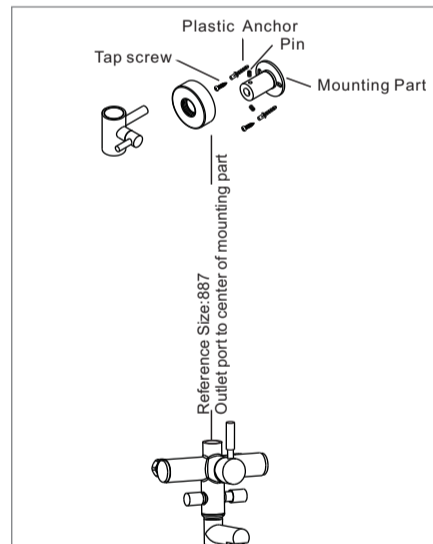


3. Installing the shower arm & tube



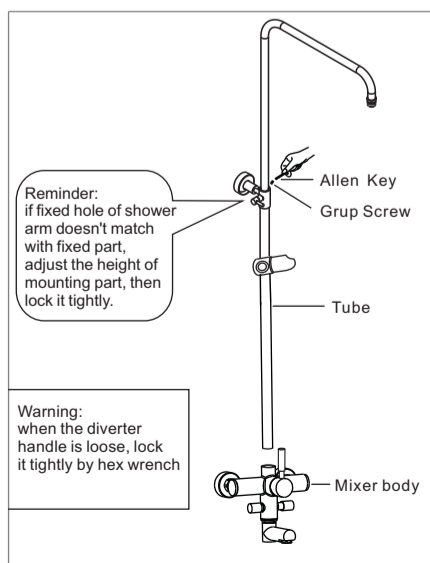
Sleeve shower rack into tube, connect with the port of tube and shower arm by adjusting the height, connect with the other port of tube and mixer body. Lock lightly by anti-skidding sleeve

4. Installing the wall mounted part



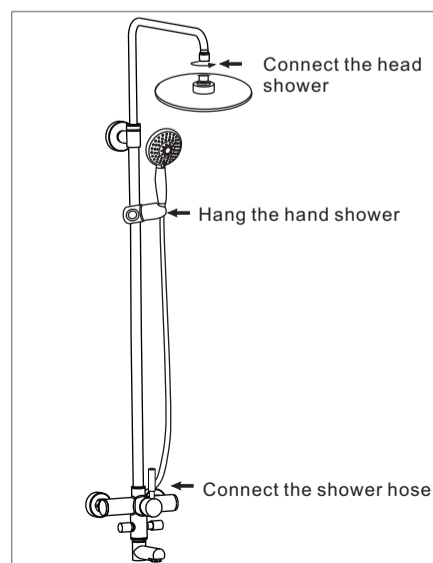
Install the mounting part as above picture shown, making sure that the center point of mounting part is perpendicular to outlet port of mixer body

5. Installing the tube set



Insert the tube with the cap and mounting part, connect the tube and mixer body by rotation method to make sure tube to be parallel with wall, then lock it tightly by $\phi 2.5$ allen key.

6. Install the hand shower and hose



Connect shower set with shower arm by threads, then connect shower hose, hang hand shower on the holder.

Notice



The cartridge with the faucet is assembled and tested before delivery. DO NOT disassemble or reassemble the cartridge.



Clean the water supply pipe before installation



Check for tightness and leakage after installation



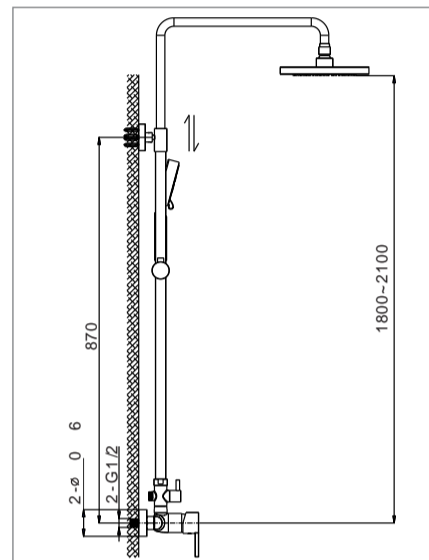
The operating pressure is 0.2-0.5Mpa (cold and hot water combined).



The operating temperature is 4 ~90 , if the water temperature is below 4 or the faucet will not be operated for a long period, please empty the cavity of the faucet to prevent damage by extreme water temperature.

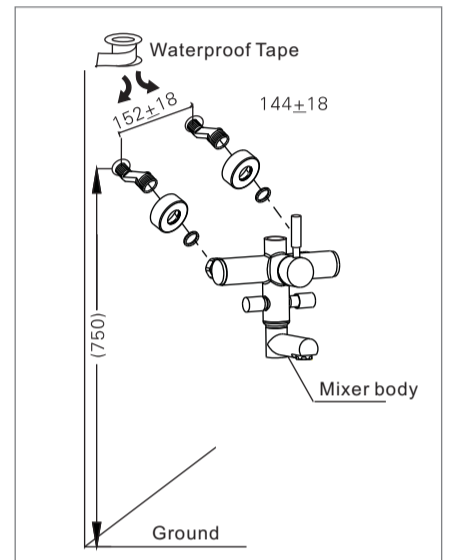
Installation Procedure

1. Check the space and position



1. Check the space and position Check the graph for the space and position of installation.

2. Installing the faucet



Wrap elbow set by PTFE tape, then connect them with water pipe and mixer body. If the pre-embedded holes are offset, it can be adjusted the position of elbow set to align body horizontally on the wall.

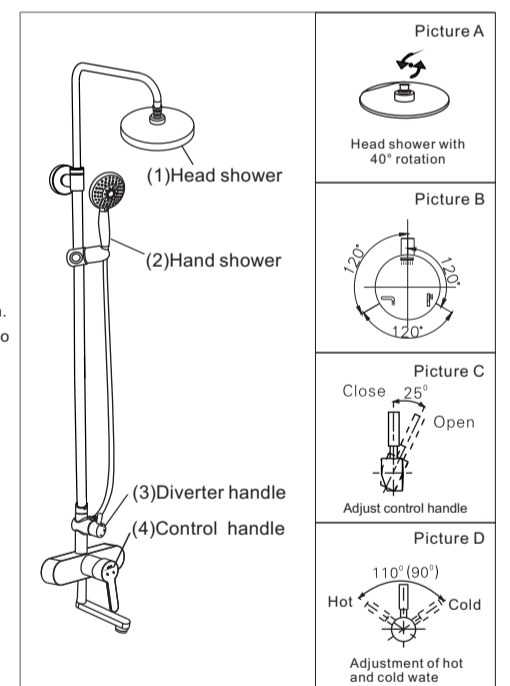
Tips for control handle and diverter handle

Usage:

- Adjust the water temperature by control handle (4) as picture C&D shown;
- Diverter handle (3) controls water outlet (1) (2) as picture B shown. Turn 120° left is hand shower outlet. Turn 120° right to get shower head outlet.

Note:

- Head shower can be swivelled 40° as picture A shown,
- The hot and cold water installation holes are the same as normal wall-mounted shower faucet, with no special pre-positioning required.
- No need to install in wall parts, easy to install and maintain.
- Height of head shower is adjustable, the range is 400mm to adjust the space



Maintenance

1 Regular Clean:

- Clean the faucet with water, wipe up with soft rags.
- DO NOT use detergents with abrasive to clean the faucet.
- DO NOT use acidic detergents to clean the faucet.

2 Deep Clean :

- Clean the faucet with water, wipe up with soft rags.
- Clean the faucet with the following detergents : a .soft liquid detergent; b .colorless glass cleaner .powder detergent without abrasive which can totally dissolve in water; c. brightener without abrasive.
- Wash out the detergents with water, wipe up soft rags.

