

NVB-BT-170B



Bathtub with drainer and overflow

Basic Info.

Model No.	NVB-BT-170B
Product Size:	1700x780x550 mm.
Shape:	runway shape
Structure:	solid stone bathtub
Certification	CE, ISO9001

Capacity:	1 Person
Massage Type	Soaking
Application	Indoor Tub
Installation Type	Freestanding
Drain Location	Center

Material Info.

Material	resin+aluminum powder
Overflow cover	PVC
Drainer	Brass+solid stone
Legs of Bathtub	-

Packing Info.

Transport package	Film+Foam+ plywood case
Packing Size	1800x880x700 mm.
Packing volume	1.11m³
Net weight	120 KG.
Gross weight	170KG.

Thickness Info.

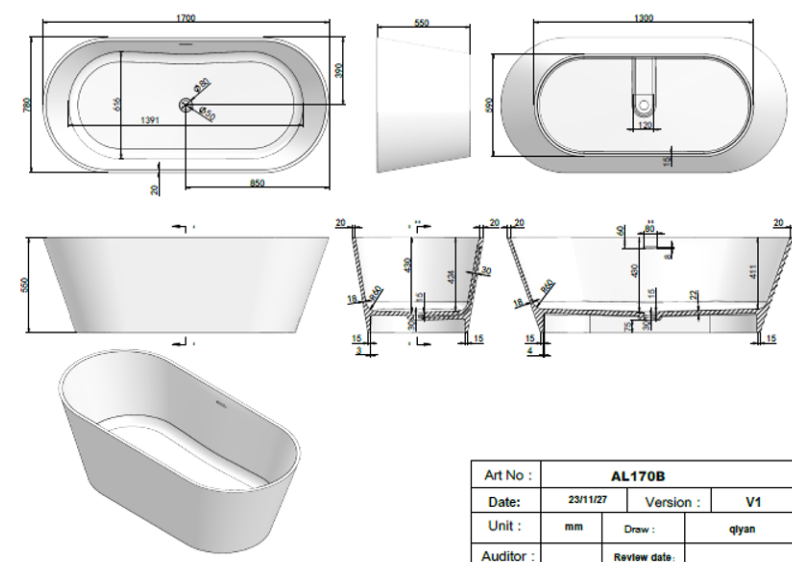
solid stone	18-30mm
Plating for metal part	-
Bathtub bottom (acrylic+fiber glass)	22mm
Bathtub side (acrylic+fiber glass)	20mm.

Water Capacity

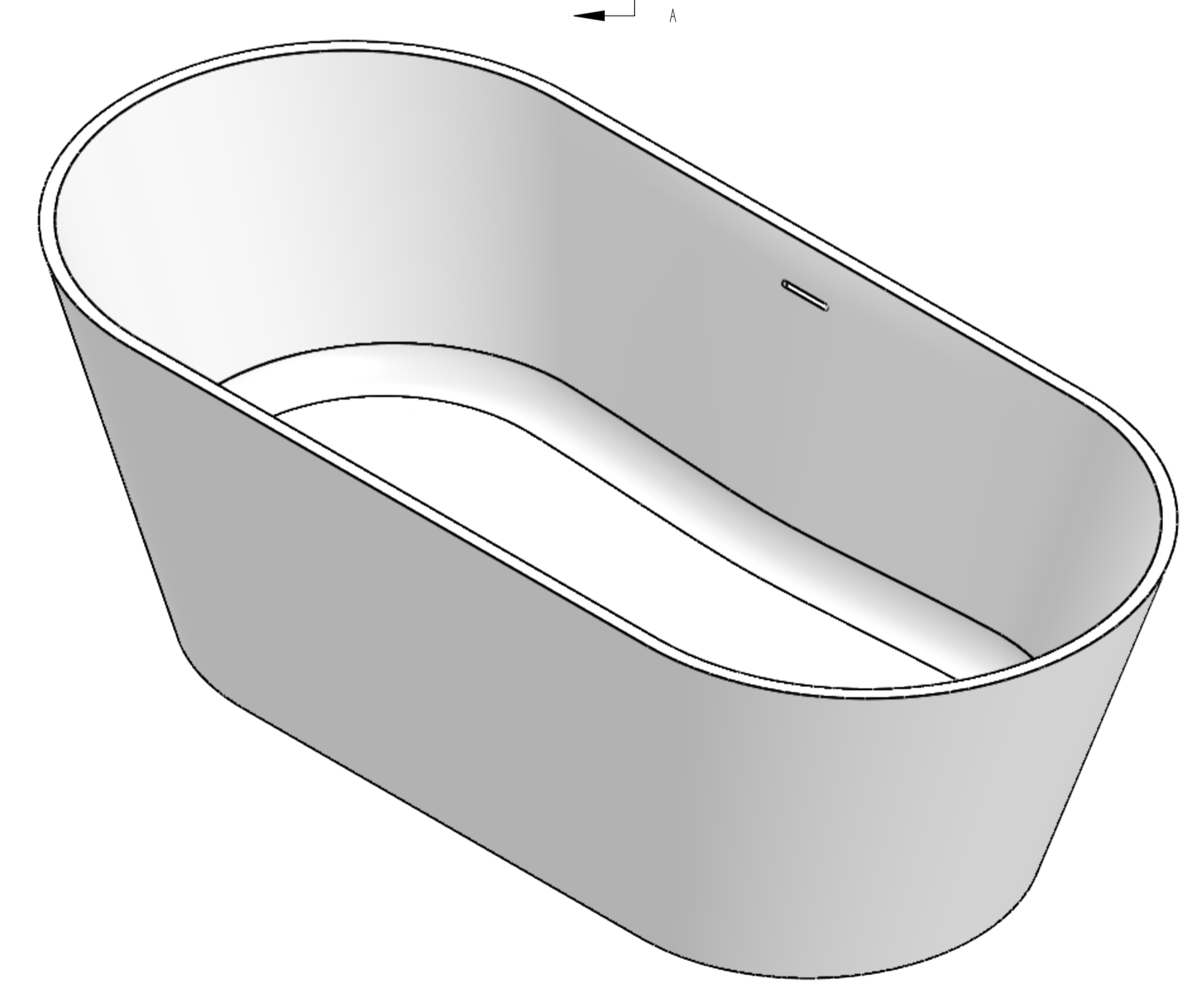
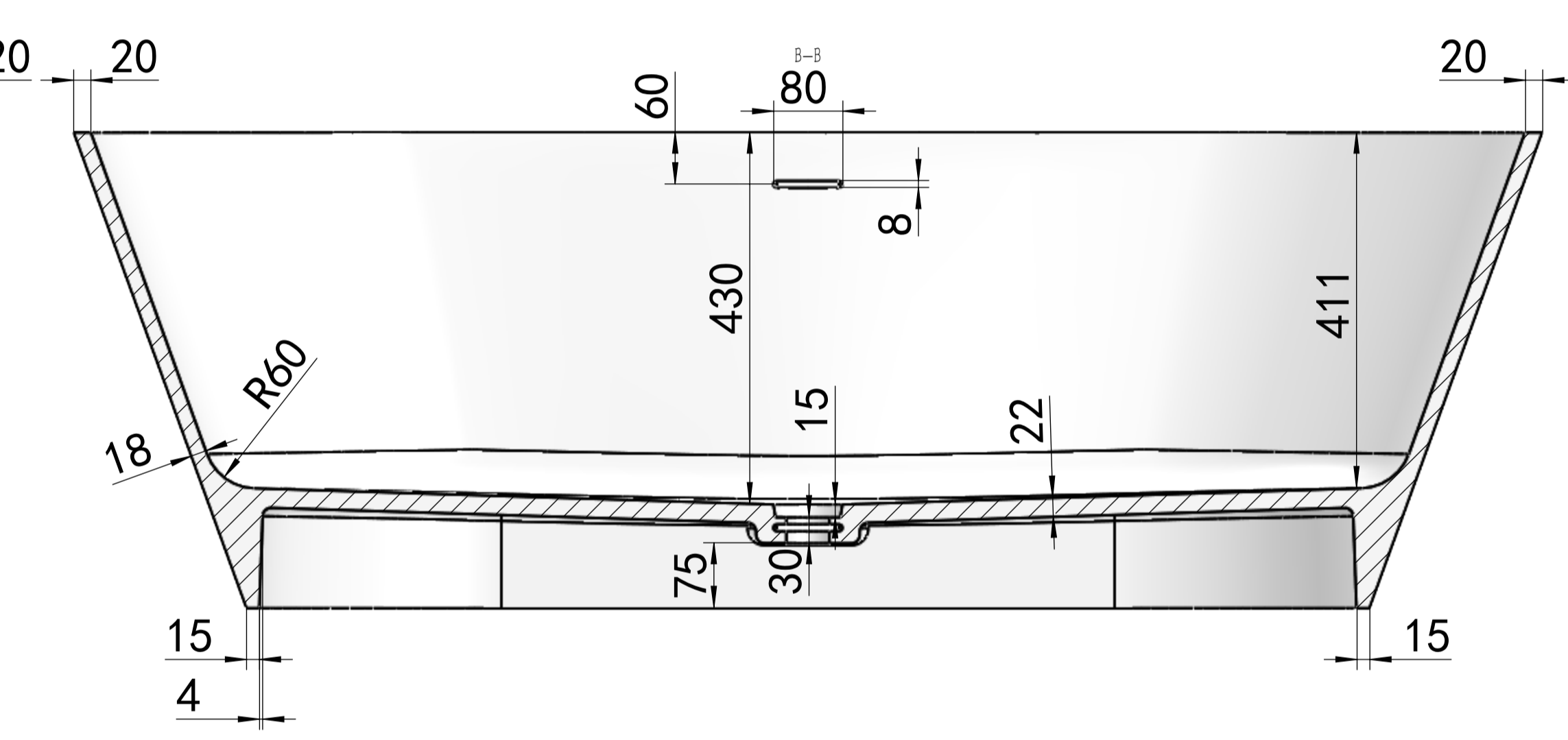
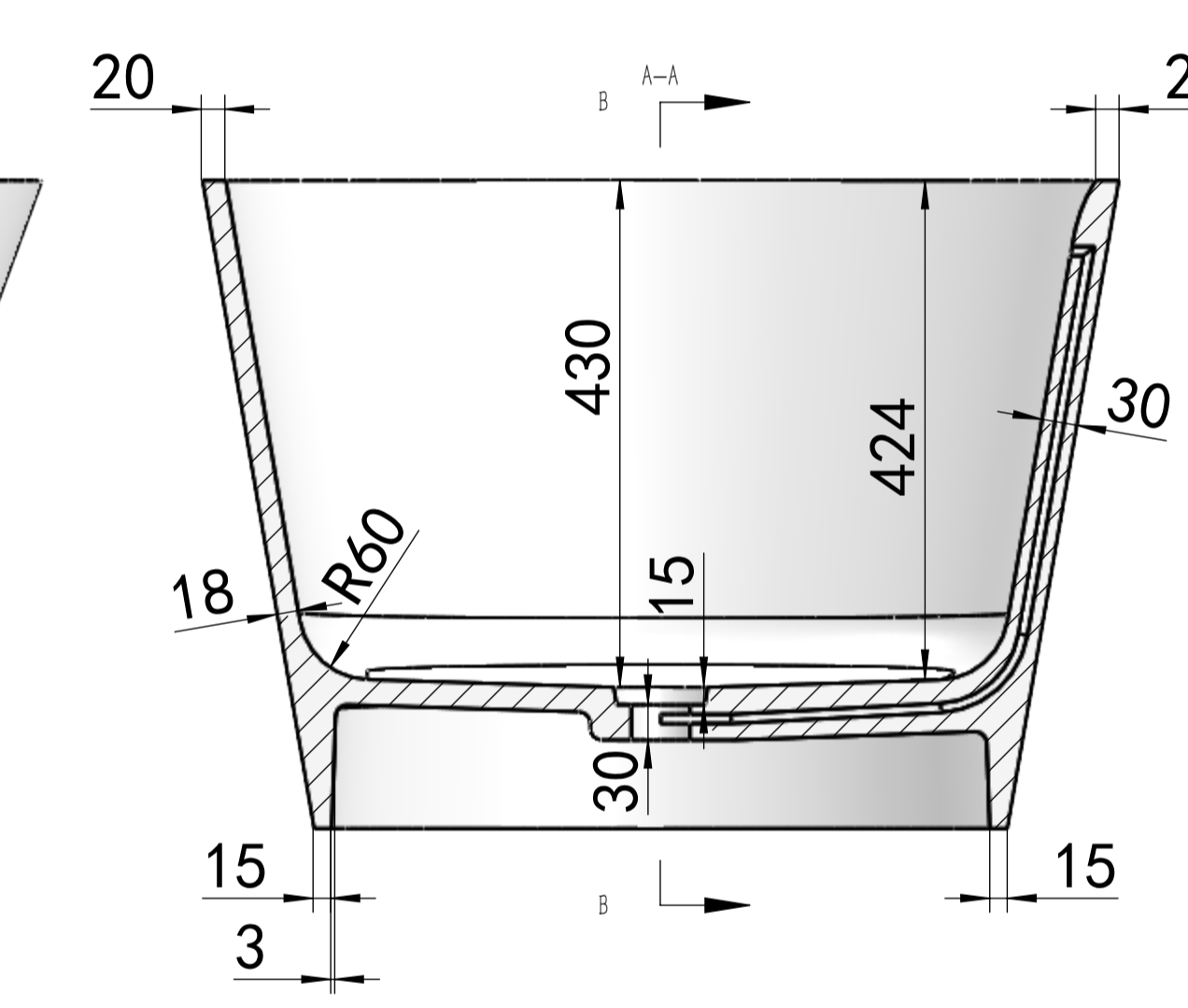
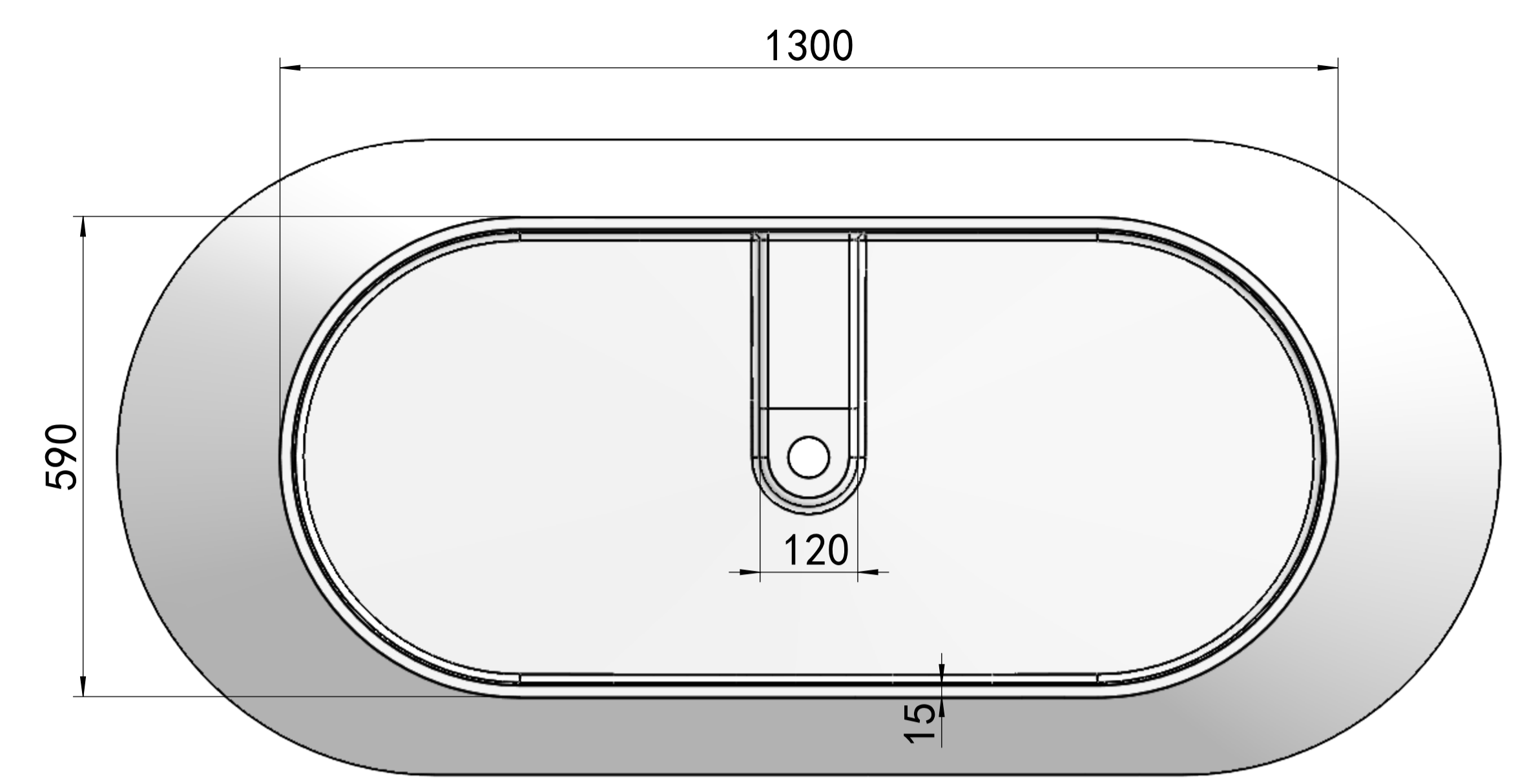
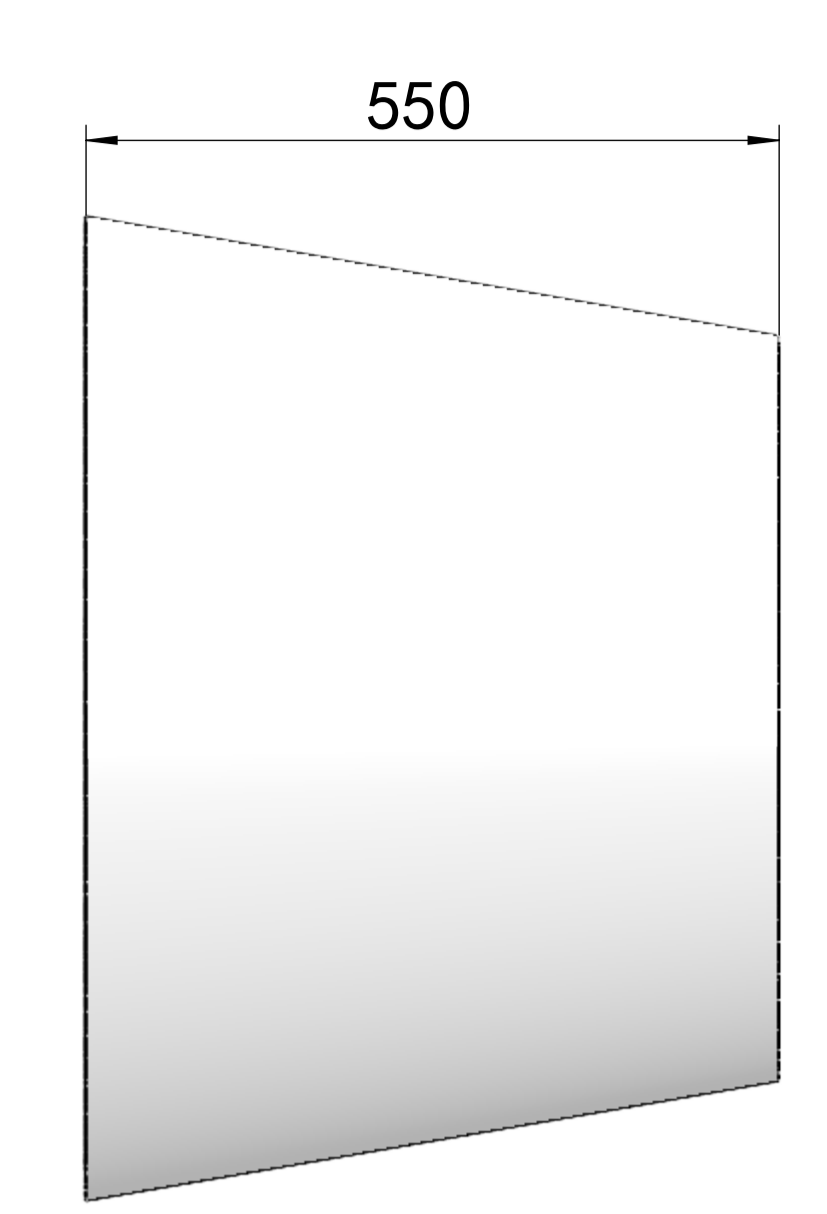
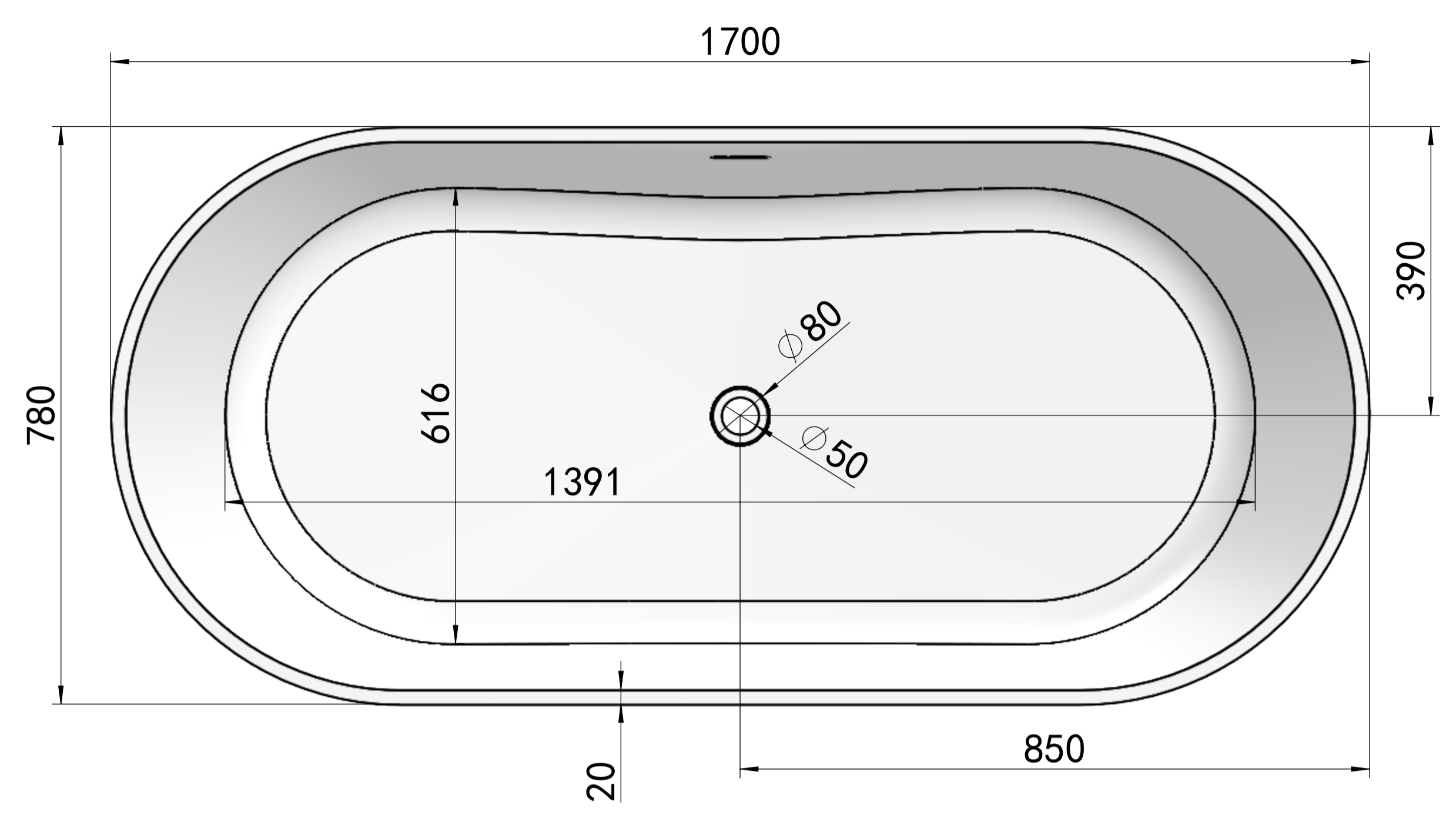
Gallon to overflow	310 L.
--------------------	--------

Industry Standard: QB2585-2007

Product certification:



Art No :	AL170B		
Date:	23/11/27	Version :	V1
Unit :	mm	Draw :	qlyan
Auditor :		Review date:	



Art No :	NVB-BT- 170B		
Date:	23/11/27	Version :	V1
Unit :	mm	Draw :	qiyan
Auditor :		Review date:	